

## Features

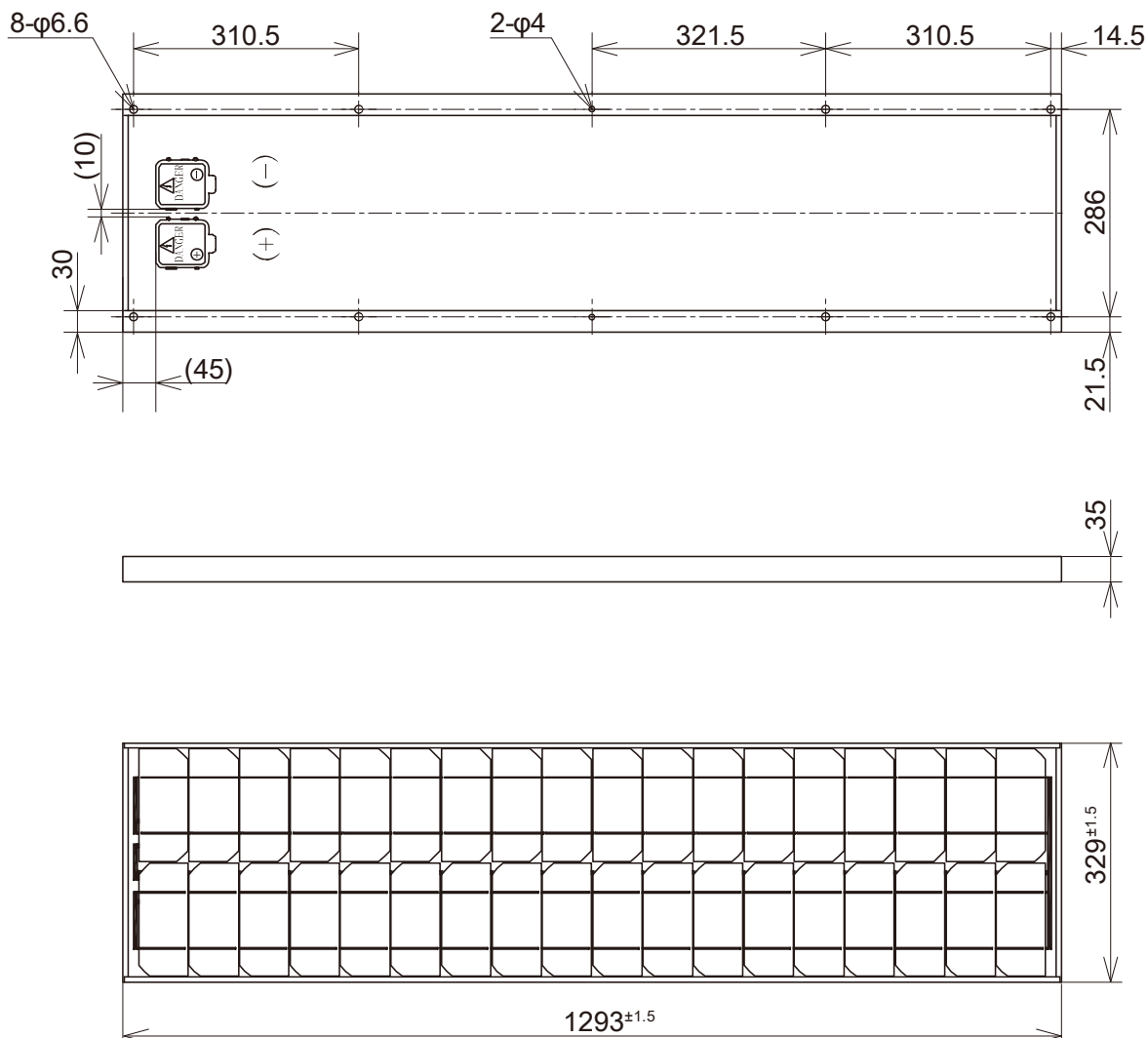
- Monocrystalline silicon
- Maximum power point 65W
- As a power source for street lights, camp car etc.



## Specification

MODEL	DB060-12
Maximum Power Point (Pmax)	65W
Maximum Power Point Voltage (Vmpp)	18.35Vdc
Maximum Power Point Current (Impp)	3.55A
Open Circuit Voltage (Voc)	22.99Vdc
Short Circuit Current (Isc)	3.79A
Dimensions (DxWxH)	35x329x1293mm
Weight	6.3kg

## Dimensions



Unit [mm]

# ■ Wiring Method

